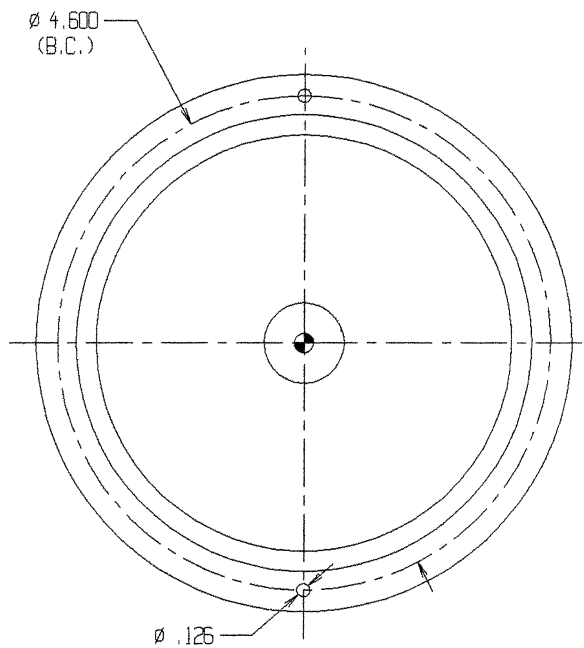
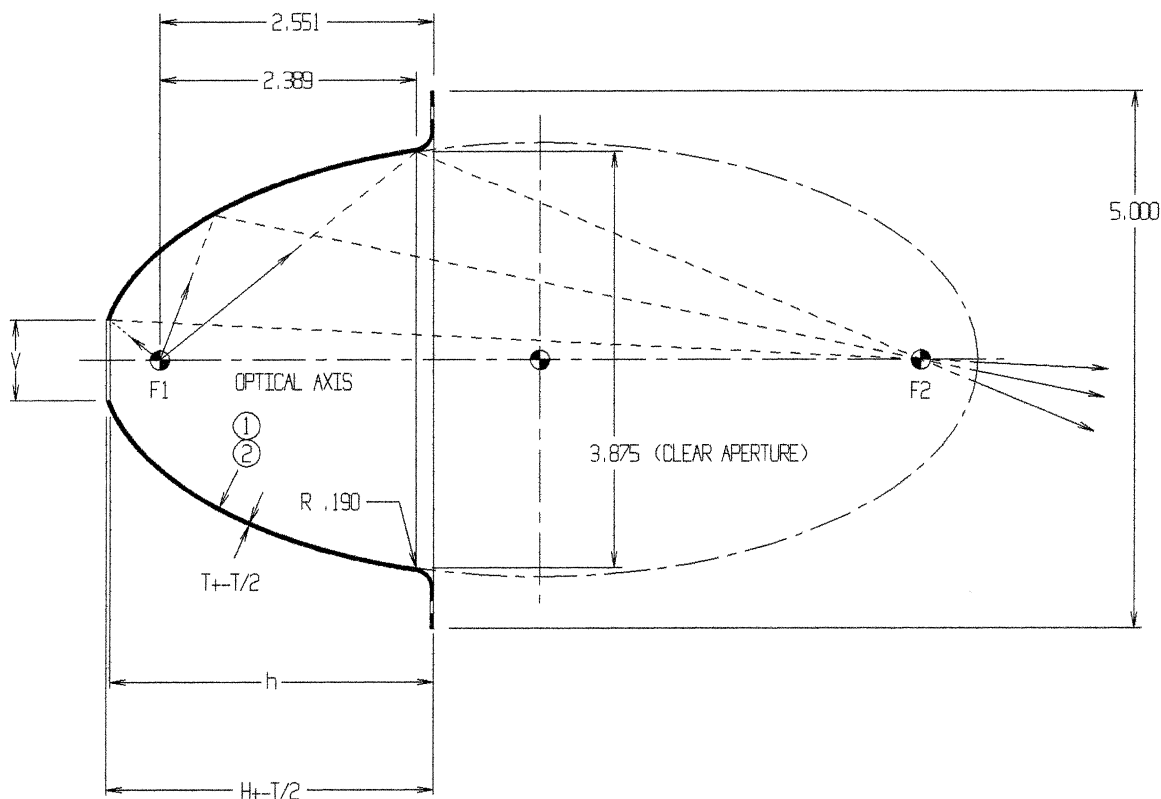


ALL CONCEPTS CONTAINED WITHIN THIS DRAWING ARE PROPRIETARY TO PHOENIX ELECTROFORMED PRODUCTS, INC.
AND MAY NOT BE CONVEYED TO THIRD PARTIES WITHOUT WRITTEN CONSENT

REVISIONS				
ZONE	REV	DESCRIPTION	DATE	APPROVED



- ① SURFACE FINISH 80-50 SCRATCH-DIG PER MIL-D-13830A
- ② AVAILABLE REFLECTIVE ENHANCEMENT COATINGS:
- AL2 ELECTRO-DEPOSITED GOLD
- AF VACUUM DEPOSITED ALUMINUM / MAGNESIUM FLUORIDE (MgF2) OVERCOAT
- AD VACUUM DEPOSITED ALUMINUM / QUARTZ (SiO2) OVERCOAT
- RH ELECTRO-DEPOSITED BRIGHT RHODIUM

ELLIPSE EQUATION

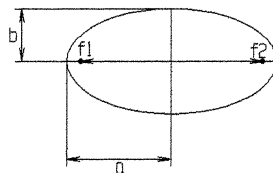
$$\frac{X^2}{a^2} + \frac{Y^2}{b^2} = 1$$

a = 4.0893000

b = 2.0206202

F1 = .5350

F1-F2 = 7.0966



.01	.748	3.875	5.000	3.047	3.015	.030	2.389
#	V	CA	OD	H	h	T	F-CA

UNLESS OTHERWISE SPECIFIED
DIMENSIONS ARE IN DECIMAL
FRACTIONS
1/16 3/32 1/8 3/16 1/4 3/8 1/2 3/4 1 1 1/2 2 3 4

FINISH E3
UNLESS OTHERWISE SPECIFIED

DO NOT SCALE DRAWING

MATERIAL
ELECTROFORMED
NICKEL

CONTRACT NO.

APPROVALS DATE
DRAWN LB 1-4-11

CHECKED

ENGR

DESIGN ACTIVITY

PHOENIX
ELECTROFORMED PRODUCTS, INC.

TITLE
ELLIPTICAL REFLECTOR
EL8

SIZE | CAGE CODE | DWG NO. | REV
| | | EL8R |

SCALE | SHEET